

# FABRIQuiet



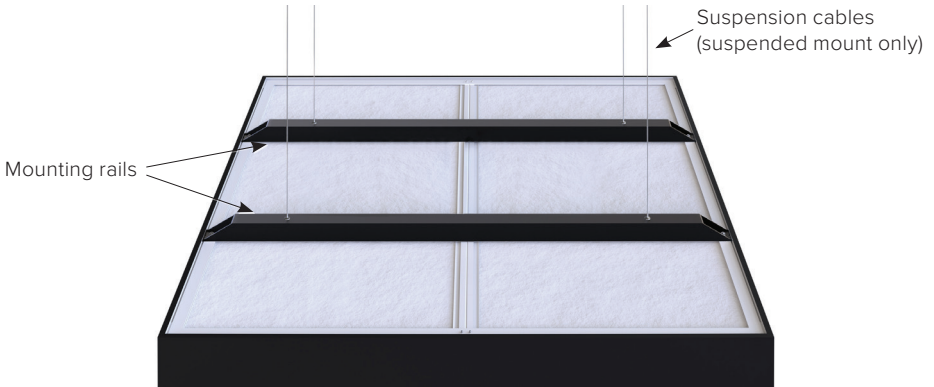
FABRIQuiet is a sound absorbing panel that is the perfect acoustic complement to FABRICore, delivering the same exceptional noise reduction capability with matching aesthetics to ensure design continuity throughout your space. Use on their own or clip together to form large clouds areas. Mix & match with FABRICore luminaires to combine immersive illumination with a complete acoustic solution for open area designs in a variety of applications.

Available with four (4) mounting options:

- Suspended
- Surface Mount
- Grid (T-Bar) Lay-in
- Recessed (Drywall/Plaster)

## INSTALLATION GUIDE

### 1. COMPONENTS



**RoHS**



**5 Year Limited Warranty:**  
Parts and workmanship


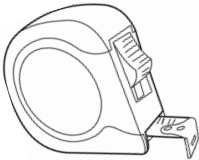
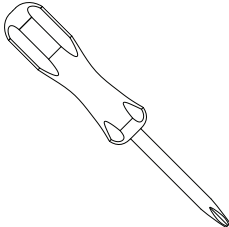
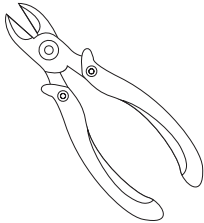
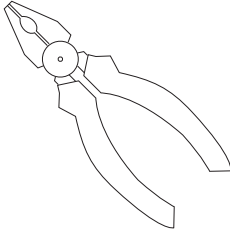
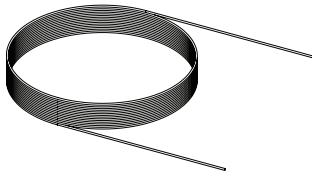
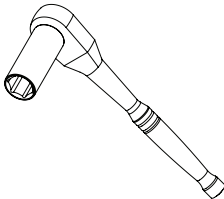
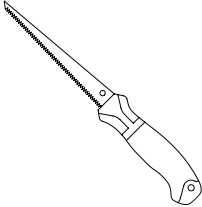
Cooledge Lighting Inc.  
110-13551 Commerce Parkway  
Richmond, BC V6V 2L1 Canada

O +1 604 273 2665  
F +1 604 273 2660  
T +1 844 455 4448

Cooledge Lighting reserves the right to change materials or modify the design of its product without notification as part of the company's continuing product improvement program.

## 2. TOOLS

 **WARNING:** Wear clean cotton or latex gloves when handling FABRICore Luminaires.

<p>Gloves</p> 	<p>Measuring Tape</p> 	<p>#2 Phillips Screwdriver</p> 
<p>Cable Cutters</p> 	<p>Pliers</p> 	<p>Solid hanger wire (not required for suspended mount)</p> 
<p>17mm socket and ratchet (suspended mount only)</p> 	<p>Drywall saw (recessed mount only)</p> 	

 **CAUTION:** Use appropriate Personal Protective Equipment (PPE) to ensure safety at work.

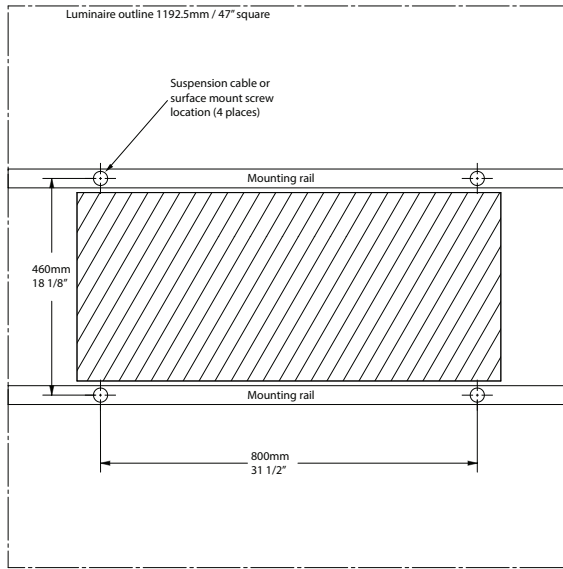
## 3. MOUNTING TYPES

- Direct ceiling (surface) mount – go to section 4
- Suspended mount – go to section 5
- Grid mount – go to section 6
- Recessed mount – go to section 7

## 4. DIRECT CEILING (SURFACE) MOUNT

### 4.1 MARK THE CEILING

Use the included mounting template to mark the position on the ceiling.



### 4.2 MOUNT THE FRAME TO THE CEILING

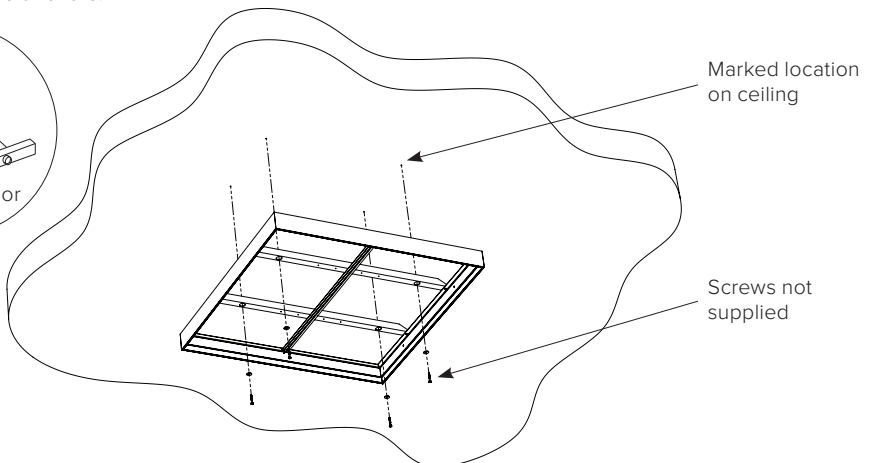
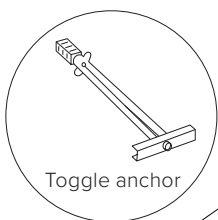


**CAUTION:** 2 people min. recommended for install



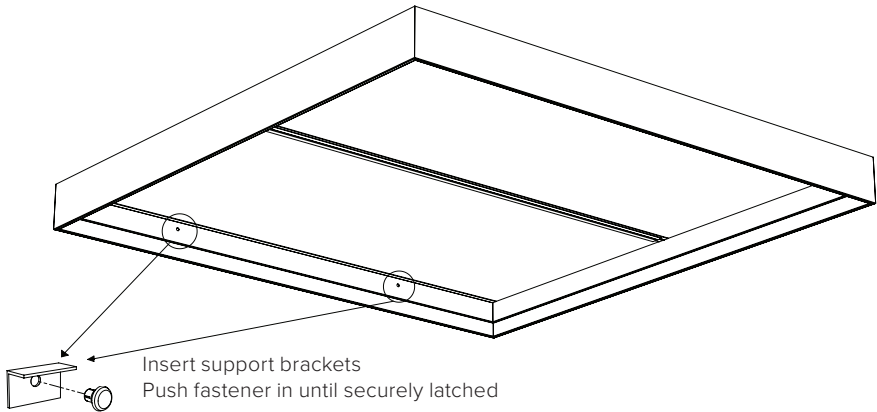
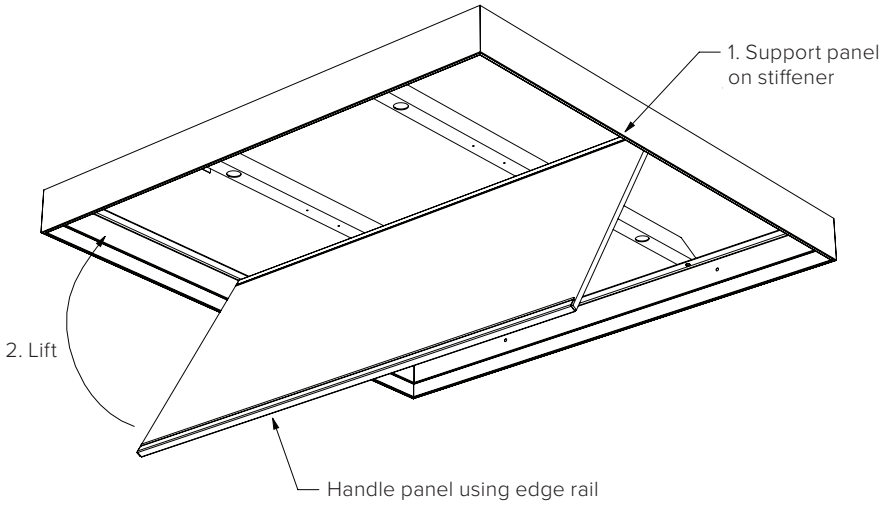
**CAUTION:** The panel weight is 11.3kg/25lbs. Ceiling fasteners are not provided by Cooledge. Ensure the mounting can withstand the load including any safety margin required by national or local building codes.

It is recommended to mount the panel assembly directly to structure. If mounting to drywall use suitably rated toggle style anchors.



### 4.3 INSTALL THE ACOUSTIC PANELS

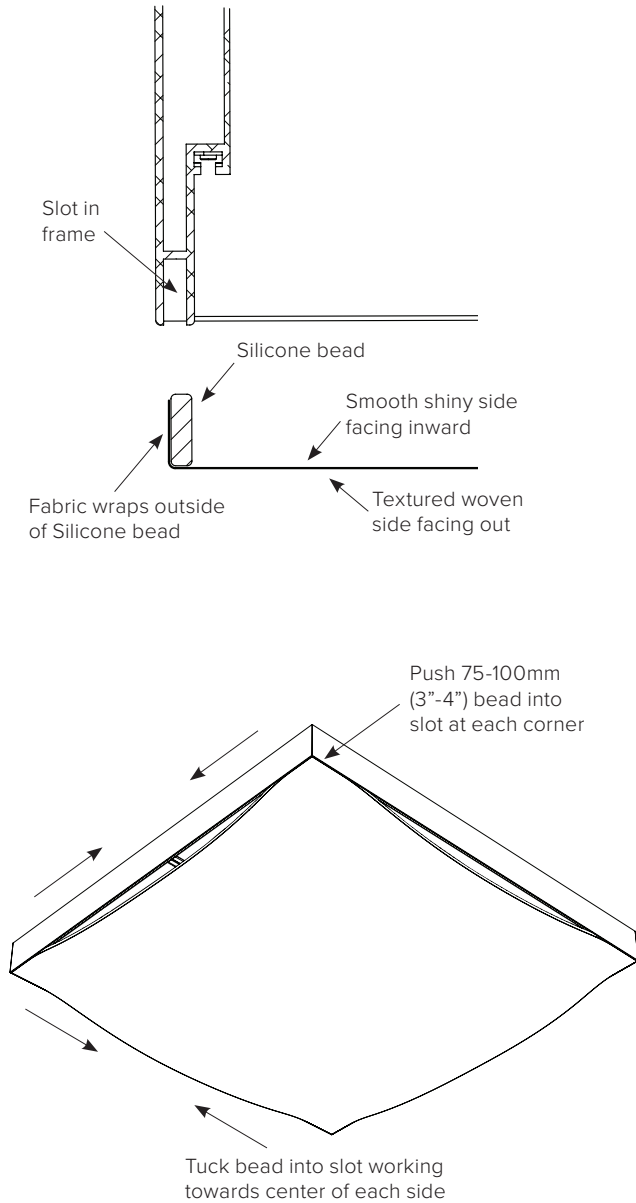
 CAUTION: 2 people min. recommended for install



Repeat both steps for second panel

## 4.4 INSTALL FABRIC

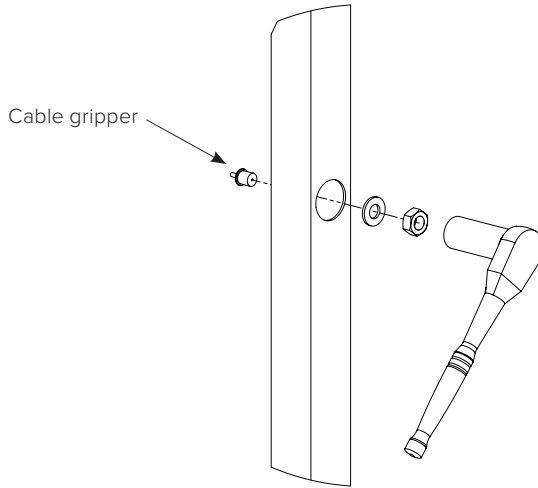
---



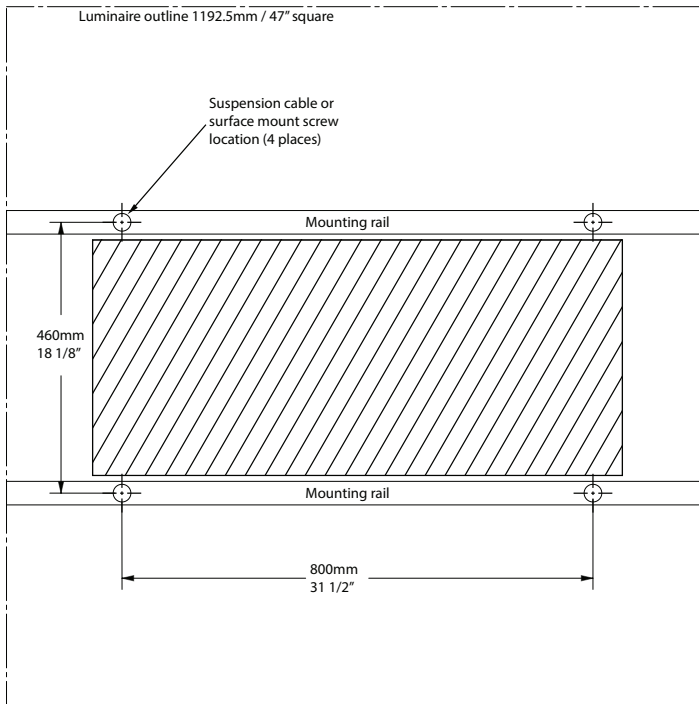
To create a continuous ceiling, units should be mounted directly adjacent to each other (buted together). The mounting procedure 4.1 – 4.4 applies for each individual unit.

## 5. SUSPENDED MOUNT


### 5.1 ATTACH 4X CABLE GRIPPERS TO MOUNTING RAILS

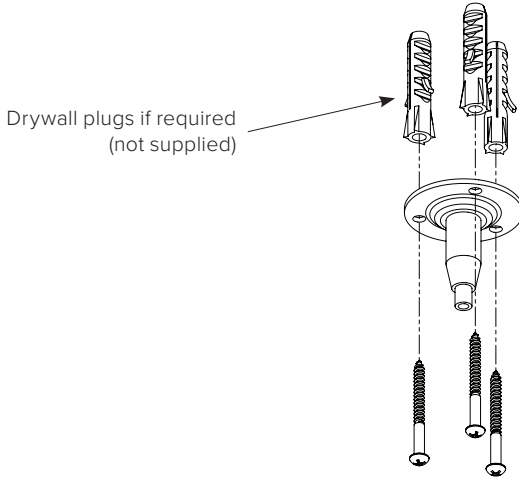


### 5.2 MARK THE CEILING USING MOUNTING TEMPLATE

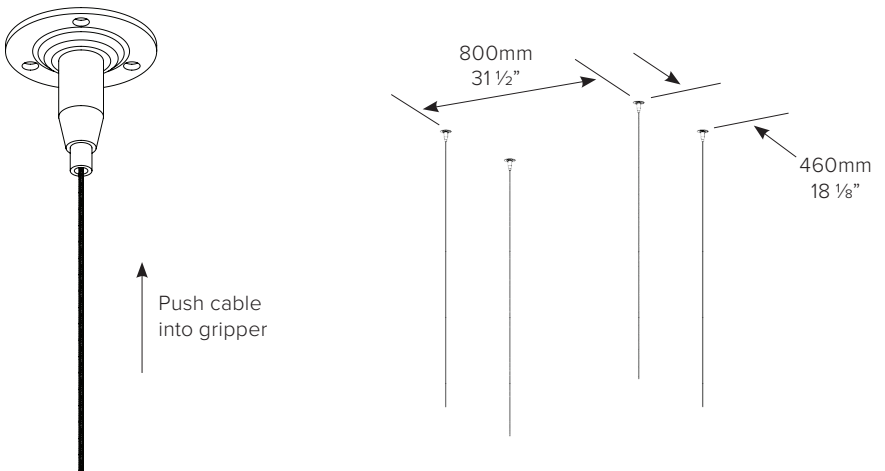


### 5.3 ATTACH 4X CEILING GRIPPERS TO CEILING

 **NOTE:** when possible mount to studs or solid surface. Use drywall plugs only when necessary. Each cable gripper must be able to support 15kg.



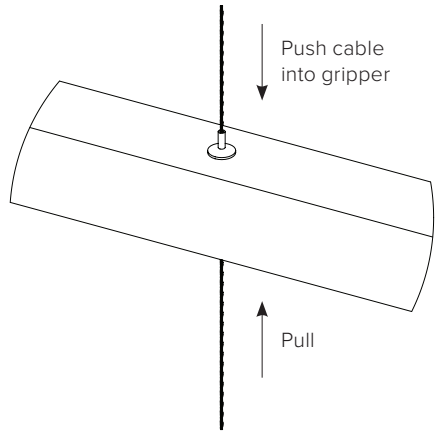
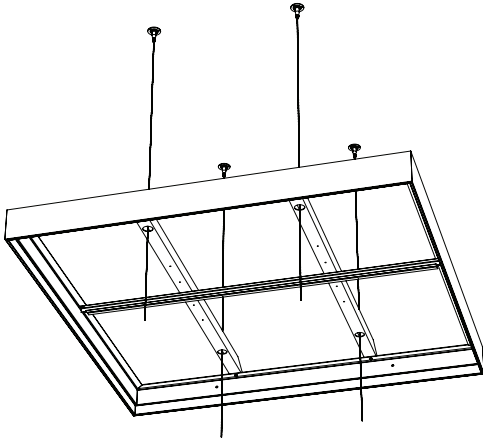
### 5.4 HANG CABLES FROM GRIPPERS



## 5.5 HANG FRAME

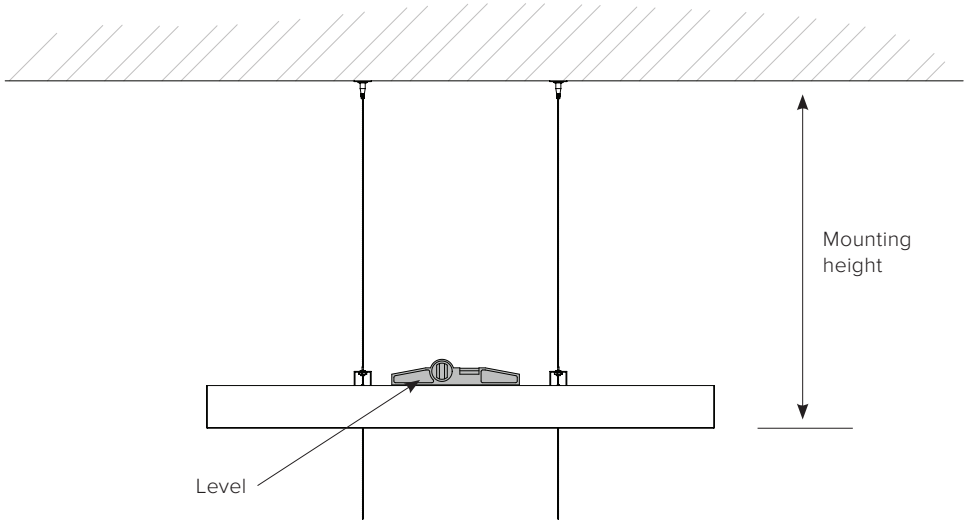
---

 CAUTION: 2 people min. recommended for install




## 5.6 SET HEIGHT AND LEVEL

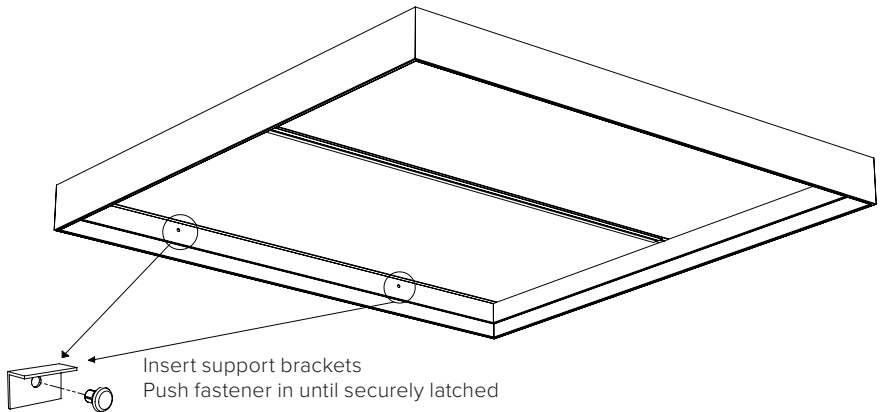
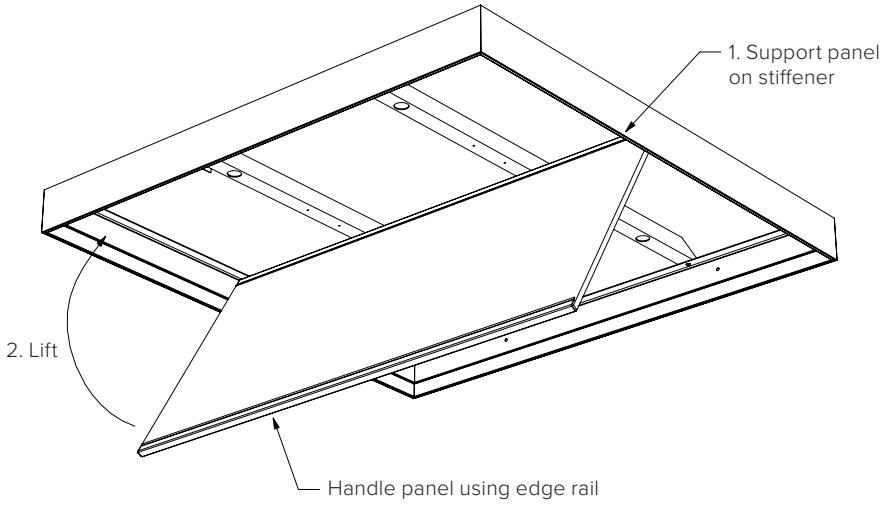
---






## 5.7 INSTALL ACOUSTIC PANELS

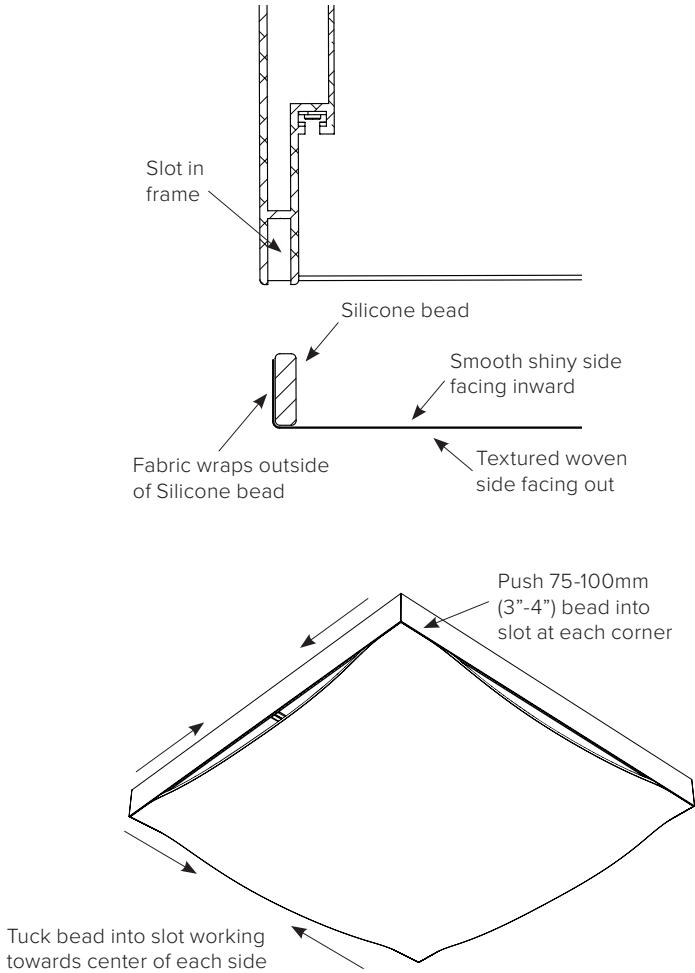
 CAUTION: 2 people min. recommended for install



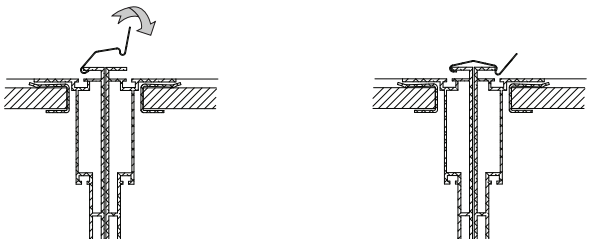
Repeat both steps for second panel

## 5.8 INSTALL FABRIC

 **WARNING:** Wear clean cotton or Latex gloves when handling fabric.



To create continuous ceiling clouds, the FABRICore/FABRIQuiet units are to be connected together using the clips provided. Alignment of the mounting points prior to installation (5.2) will allow connections to be made more easily.



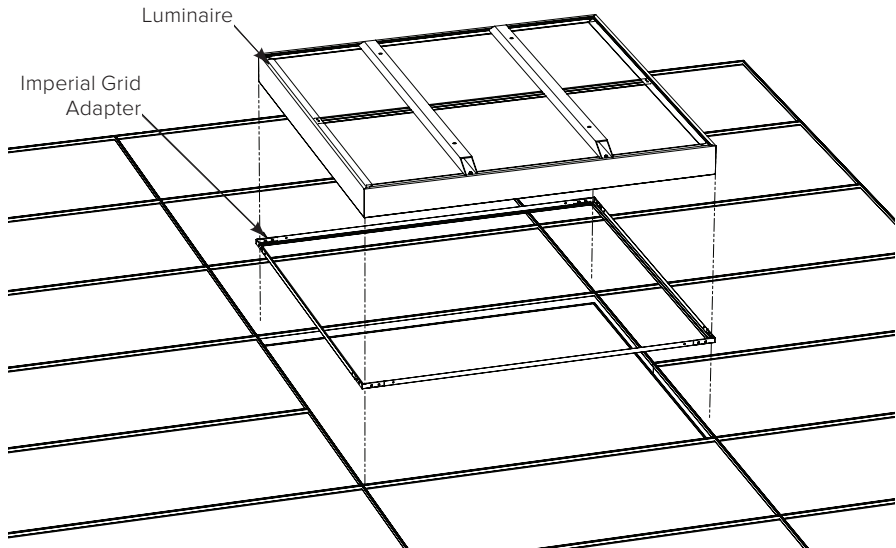
## 6. GRID MOUNT

**NOTE:** The acoustic panels and fabric must be installed **before** mounting in the ceiling. Follow the steps below.

### 6.1 PREPARE THE CEILING GRID

FABRIQuiet units fit into a 1200mmx1200mm T-bar ceiling without an adapter, for 48"×48" T-bar openings an Imperial Grid Adapter is required (LACC-G-K) - ordered and shipped separately.

The unit should be supported on two edges by main beams and the other two edges by cross tees.

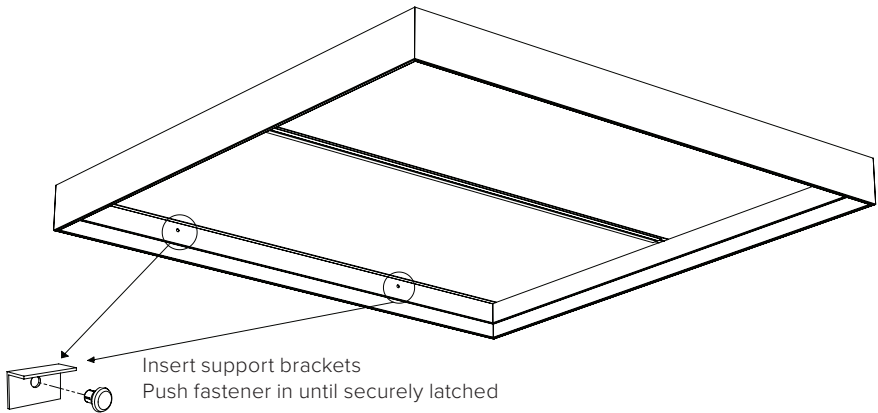
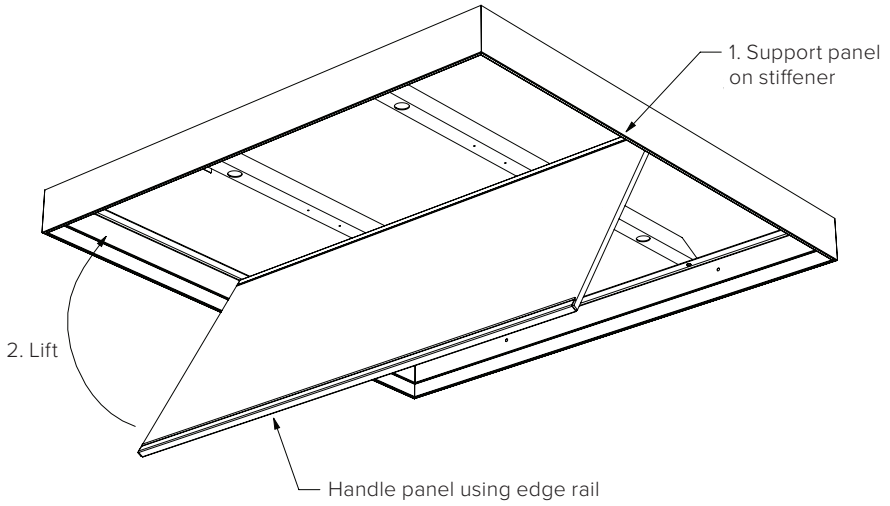


**CAUTION:** Weight of FABRIQuiet units is 11.3kg/25lbs. The Imperial Grid Adapter required for inch-sized (imperial) ceiling grid weighs an additional 0.8kg/1.75lbs.

Consult your ceiling grid supplier or manufacturer for allowable loading. Do not install Cooledge FABRIQuiet luminaires in ASTM C-635 light duty grids or EN 13964:2014 Class 1 grids.

## 6.2 INSTALL THE ACOUSTIC PANELS

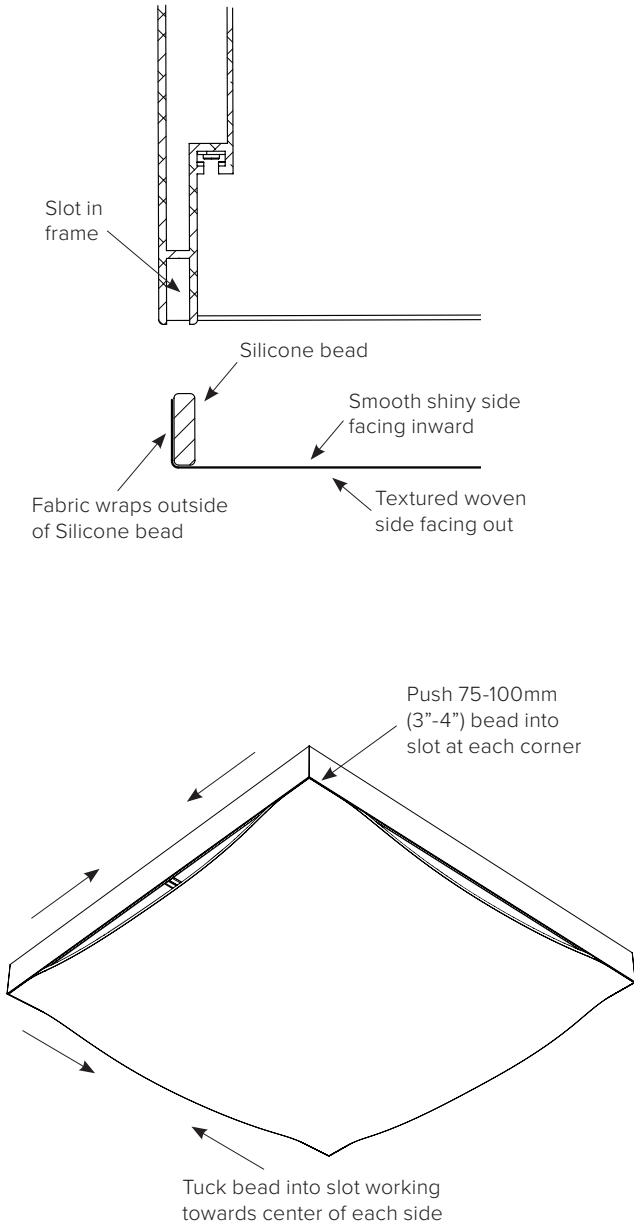
 CAUTION: 2 people min. recommended for install



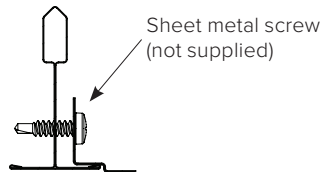
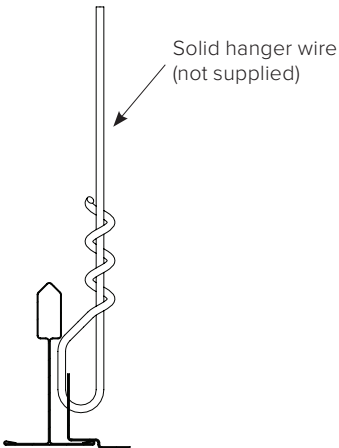
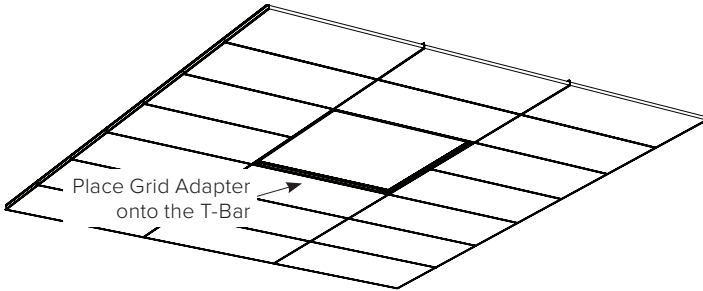
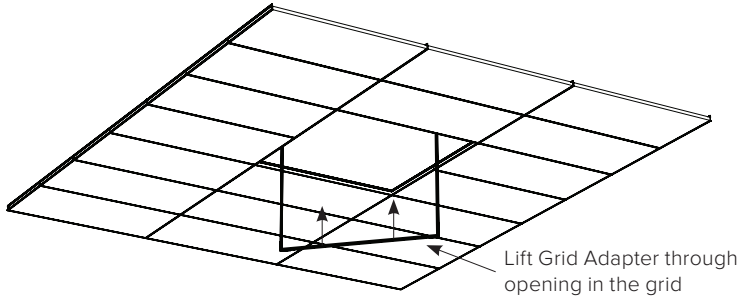
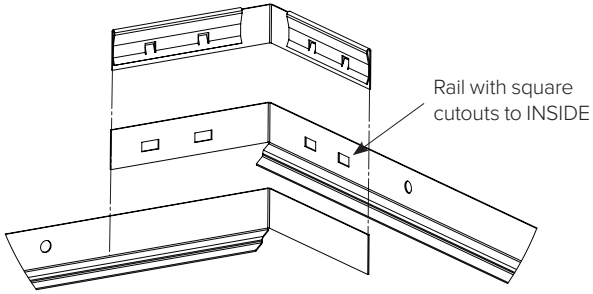
Repeat both steps for second panel

## 6.3 INSTALL FABRIC

---



## 6.4 INCH-SIZE GRIDS (IMPERIAL) ONLY - INSTALL ADAPTER




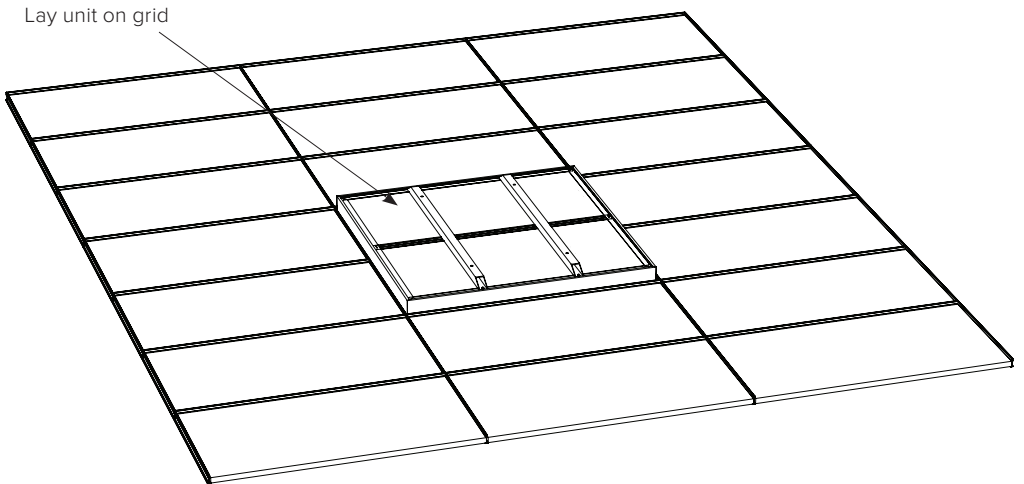
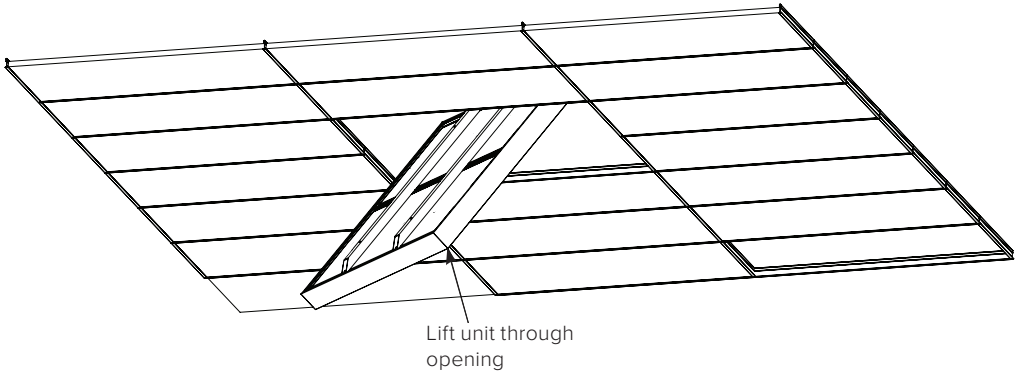
## 6.5 MOUNT THE FRAME IN THE GRID OPENING

---

 CAUTION: 2 people min. recommended for install

 CAUTION: Wear clean cotton or latex gloves; handle the unit only by the edges, do not press on the fabric!

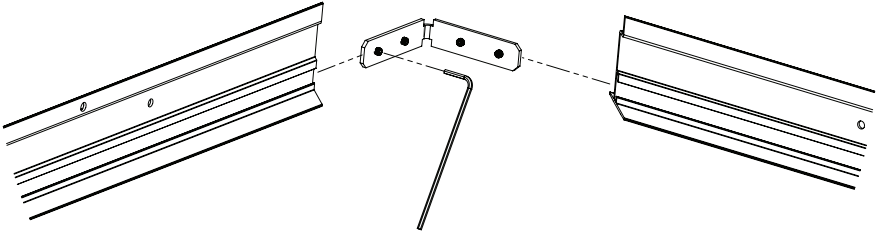
 CAUTION: Remove an adjacent ceiling for access when lifting through grid.



## 7. RECESSED MOUNT

### 7.1 ASSEMBLE THE RECESSED MOUNT ADAPTER LACC-R-K W

A Recessed Mounting Adapter (LACC-R-K) is required. This adapter is ordered and shipped separately.

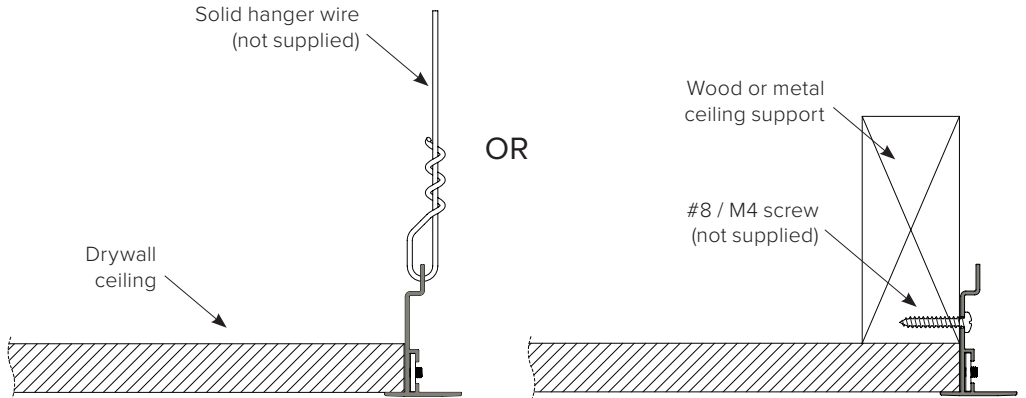


### 7.2 PREPARE THE CEILING OPENING

Cut the ceiling opening to 1220x1220mm / 48"x48".

Install the recessed mount adapter kit LACC-R-K (sold separately).

Install support wires or screws (not supplied) as required by national and local building codes.

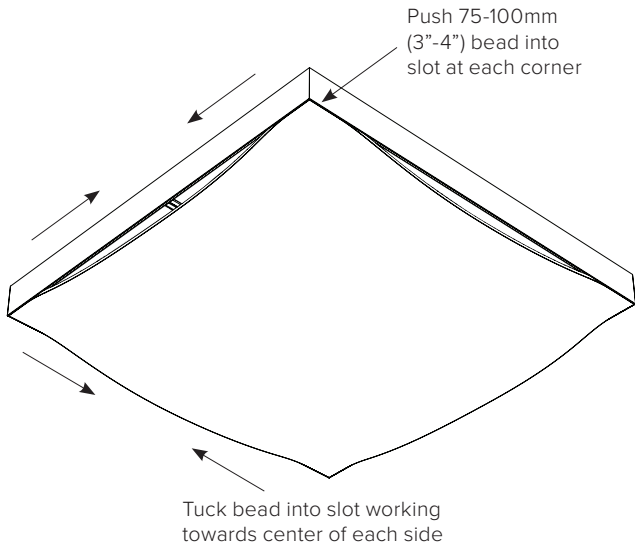
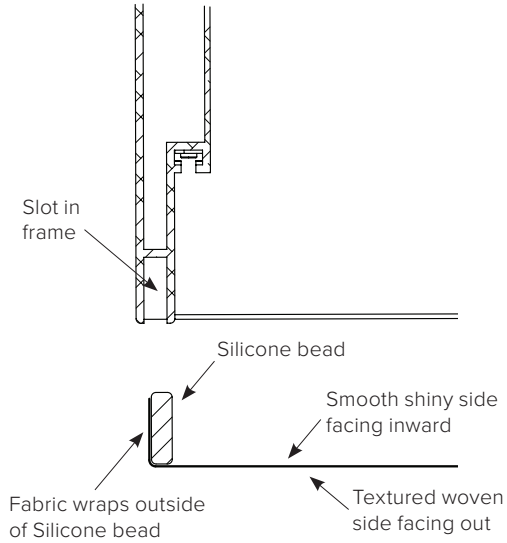






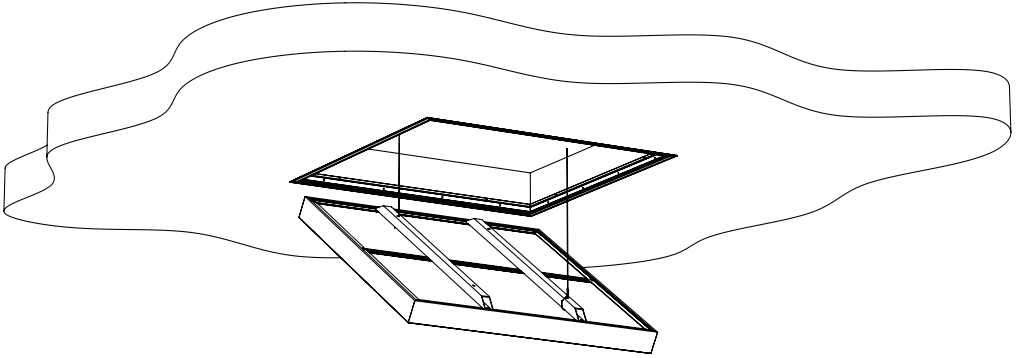
## 7.4 INSTALL FABRIC

---



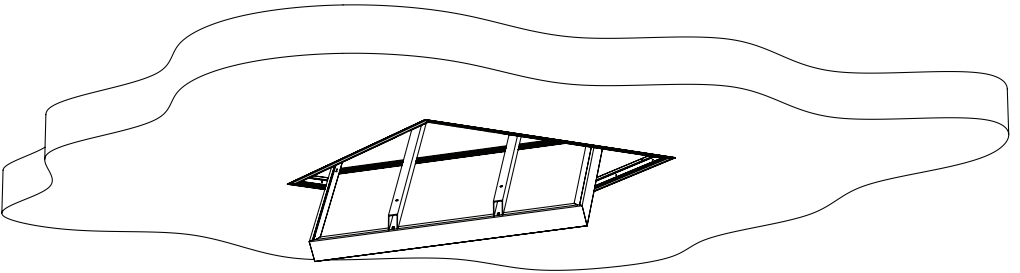
 **CAUTION:** 2 people min. recommended for install

Lift the close to the ceiling and support on a scaffold/lift or hang temporarily from 18Ga min solid steel hanger wires (not supplied).

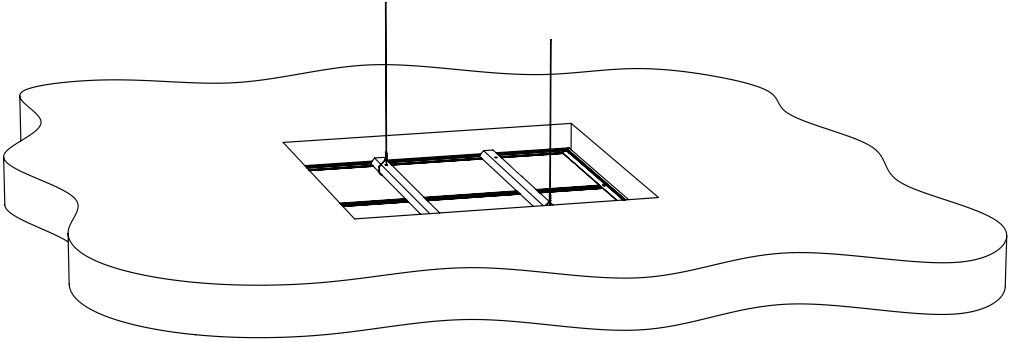


## 7.5 MOUNT THE UNIT IN THE CEILING OPENING

---



 **CAUTION:** Install support wires must be installed in accordance with national and local building codes



---

**RoHS**



**5 Year Limited Warranty:**  
Parts and workmanship

---

Cooledge Lighting Inc.  
110-13551 Commerce Parkway  
Richmond, BC V6V 2L1 Canada

O +1 604 273 2665  
F +1 604 273 2660  
T +1 844 455 4448

Cooledge Lighting reserves the right to change materials or modify the design of its product without notification as part of the company's continuing product improvement program.